

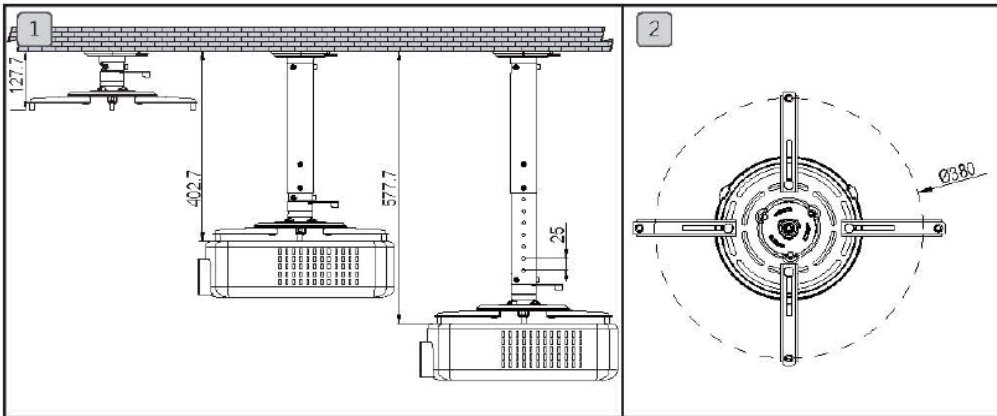


## Universal Ceiling Mount (5J.JAM10.001)

Material	Steel/ Aluminum Alloy		
Weight	1,76kg (3.88lbs)		
Length	127.7mm ~ 577.7mm (each spaced 25mm apart)		
Rotation Angle	360°		
Tilt Angle	+/-25°		
Load	25kg (55lbs)		
Screw Type	M3,M4,M5,M6		

### Size

1. Length can be adjusted; the shortest length is 127.7mm and the longest is 577.7m (each 25mm apart).
2. Projectors with mounting hole of diameter within 380mm are suitable



### Angle Adjustment

1. Angles can be adjusted by +/- 25 degrees
2. Nuts can be used to control the tightness of the projector angles.

